



LK-CM | **SEPTEMBER 2020**
Replaces June 2020

CENTER MOUNT EVAPORATOR

Technical Guide
Including models meeting DOE minimum AWEF

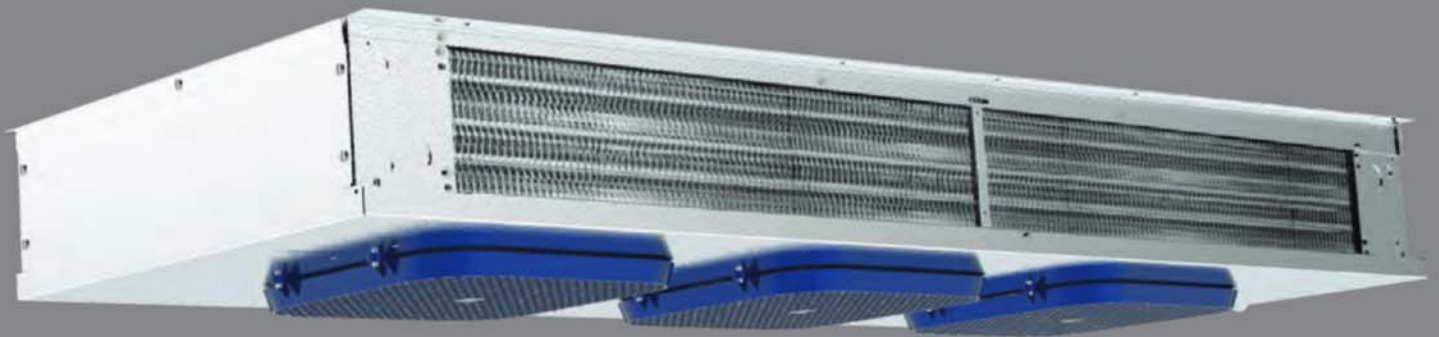


TABLE OF CONTENTS

- 3** Features & Benefits
- 4** Outstanding Features
- 5** Nomenclature
- 5** Preferred Option Packages
- 6** Air Defrost
 - 6** Performance Data
 - 6** Application Capacity: Air Defrost- 60 Hz
 - 7** Unit Specifications
- 8** Electric Defrost
 - 8** Performance Data
 - 8** Application Capacity: Low Temperature Electric Defrost- 60 Hz
 - 9** Application Capacity: Medium Temperature Electric Defrost- 60 Hz
 - 10** Unit Specifications
- 11** Physical Data
- 12** Dimensional Drawings
- 13** Dimensional Data
- 14** DOE Rated AWEF
 - 14** AWEF Data
 - 14** Air Defrost
 - 15** Electric Defrost
- 16** Replacement Parts
- 17** Standard Nozzle Selection
 - 17** Air Defrost
 - 17** Electric Defrost



FEATURES & BENEFITS

CABINET

- Air moves across the ceiling in both directions providing even air distribution throughout the cooler
- Compact, ceiling mount and center mount design allows for shelving and storage of product around all walls
- Heavy-gauge grained aluminum cabinet cleans easily and looks attractive
- Cabinet design features improved access panels on each end for easy access to electrical and refrigeration components
- Captive stainless steel screws for easy service which prevent dropping/loss and prevent rust streaks or staining
- Improved wire management and routing
- Quick disconnect, waterproof plug and receptacle for each motor in all models
- Molded fan guard is made of strong, durable, NSF and UL Sanitation rated lightweight and damage resistant plastic material
- Liquid line solenoid wire harness is factory-installed for quick installation

COIL

- High-efficiency aluminum fins with full collars cover mechanically expanded copper tubes
- Coils are dehydrated and sealed at the factory
- Electric defrost models incorporate high quality tubular heaters and a standard fixed defrost termination thermostat
- Generous coil surface gives proper compressor balance
- Standard adjustable defrost termination fan delay thermostat
- Internally enhanced tubing and fin design for higher efficiency
- Optimized heater placement with reduced heater wattages
- Fixed defrost termination for electric, adjustable defrost termination for hot gas

DRAIN PAN

- Hinged drain pan for faster, easier and safer access and serviceability
- Tapered mounting provides proper slope for condensate drainage to one end of the unit
- Double drain pan eliminates drain pan sweating

MOTOR

- Motor rail is design for maximum strength and durability
- Motors are life lubricated and thermal overload protected
- 2 Speed EC Motors are factory-installed

CONTROL OPTIONS

- intelliGen™ Refrigeration Controller (iRC) units come with a factory mounted controller, tested and calibrated with an electronic expansion valve, pressure transducer, temperature sensors, control board and user interface. Standard features include Door Sensor, Product Load Input and Alarm Output.
- Optional Factory or Field installable intelliGen Webserver Card (iWC) enables local and remote monitoring on any Phone, Tablet or PC.
- Optional Factory or Field installable intelliGen Integration Card (iIC) enables connectivity to BACnet and Modbus.
- Quick Response Controller units come factory mounted with an electronic expansion valve, pressure transducer, temperature sensors and control board.
- Beacon II™ units come factory mounted with an electronic expansion valve, pressure transducer, temperature sensors and control board.

OTHER OPTIONS

- Factory installed mounted components are available in these configurations:
- Pre-assembled units available with mounted TXV, liquid line solenoid valve and room thermostat
- Mounted TXV
- Mounted TXV and solenoid valve
- Units available with stainless steel housing and drain pan
- Air defrost units are available with various coil coatings options

OUTSTANDING FEATURES

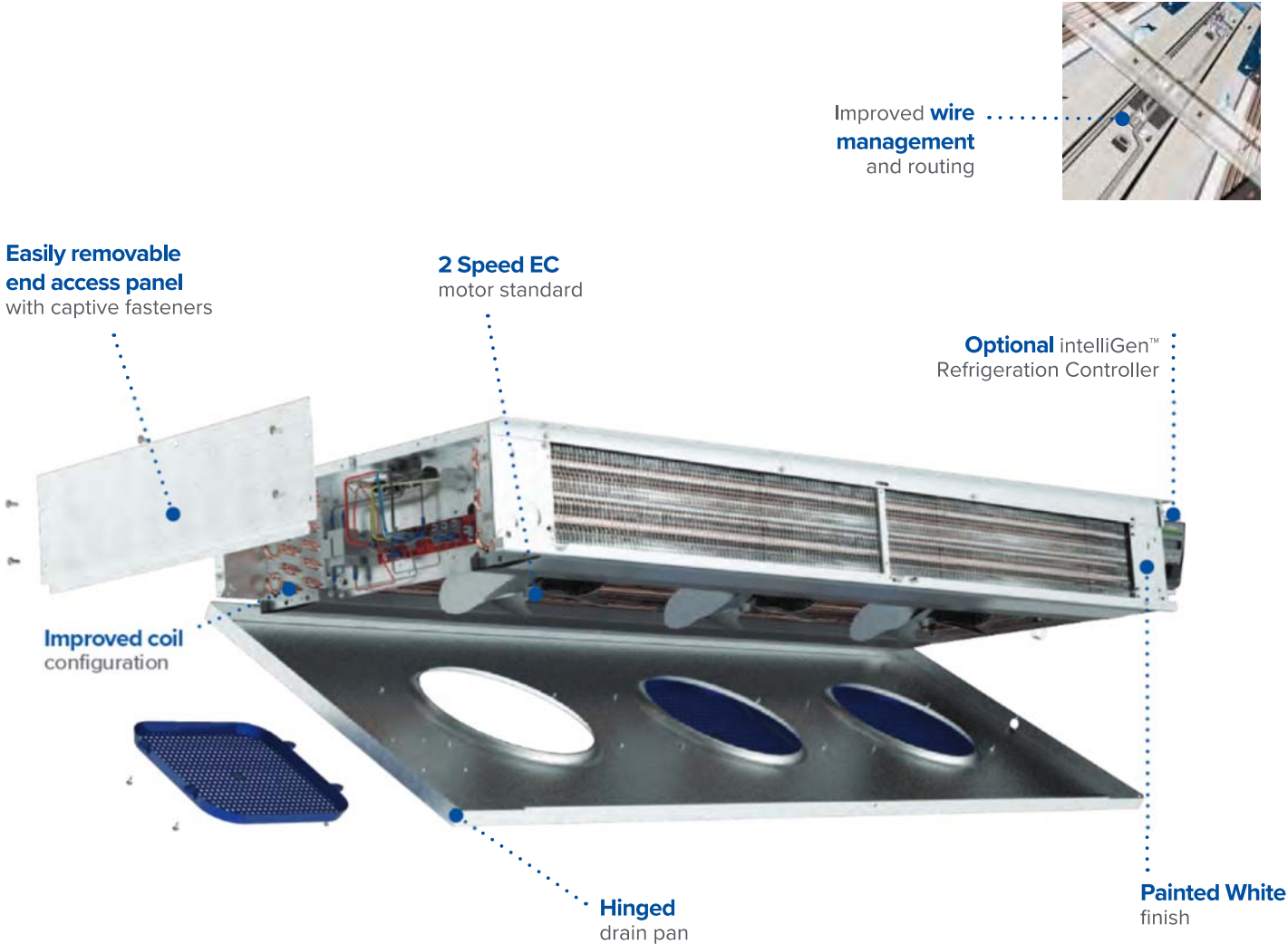
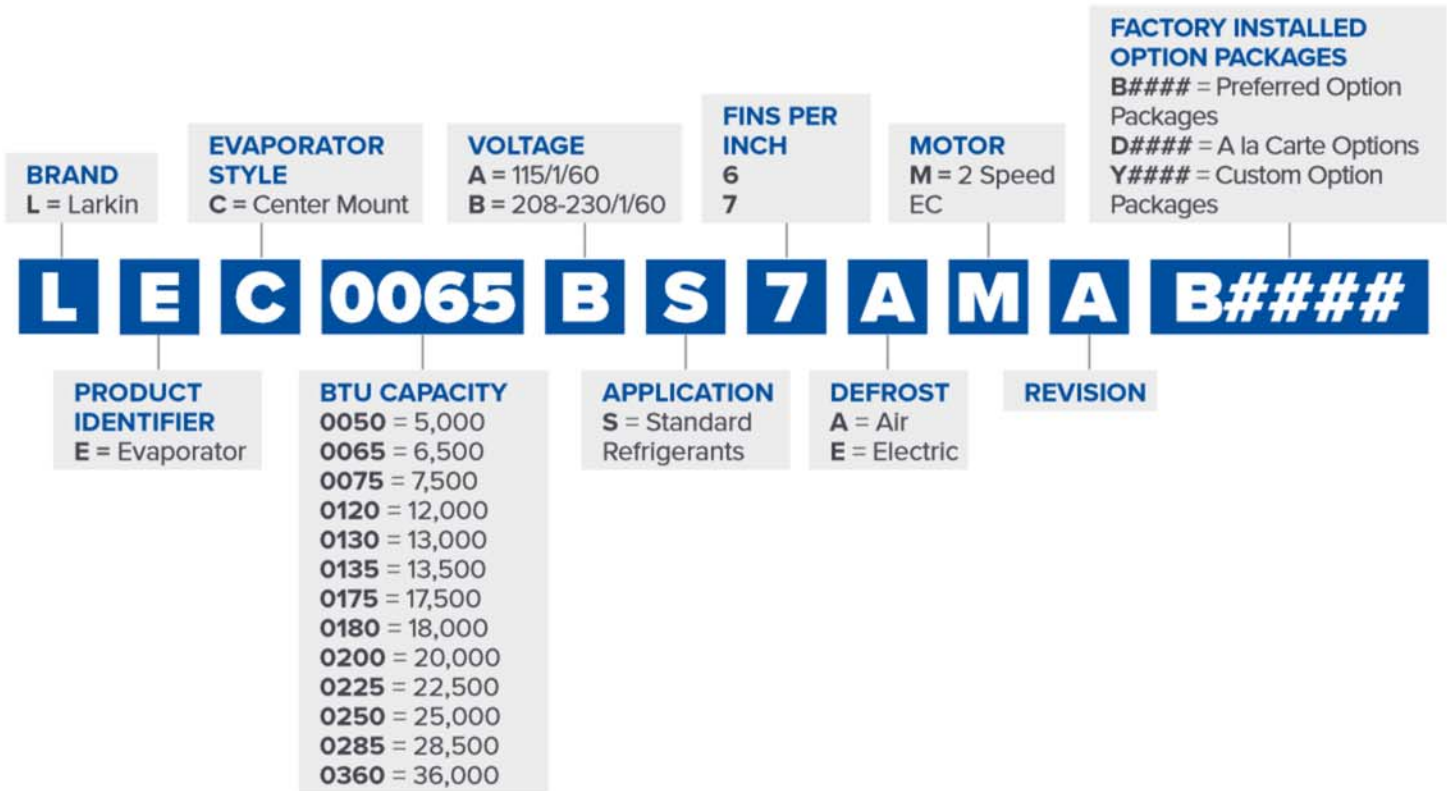


Table 1: Capacity Correction Factors

Electric and Hot Gas Defrost Units				
Saturated Suction Temperature °F	+20	-10	-20	-30
Saturated Suction Temperature °C	-7	-23	-29	-34
Multiply Capacity By	1.15	1.04	1.00	0.90

NOMENCLATURE



PREFERRED OPTION PACKAGES

Package	Description
B0100	Beacon II (R-404A/R-448A/R-449A)
B0101	Beacon II (R-407A/C/F)
B0200	intelliGen Refrigeration Controller (R-404A/R-448A/R-449A)
B0201	intelliGen Refrigeration Controller (R-407A/C/F)
B0300	Quick Response Controller (R-404A/R-448A/R-449A)
B0301	Quick Response Controller (R-407A/C/F)
B0400	Mounted Components (Nozzle + TXV, Solenoid Valve, Mech Room T'stat-R-404A)
B0401	Mounted Components (Nozzle + TXV, Solenoid Valve, Mech Room T'stat-R-407A/C/F)
B0402	Mounted Components (Nozzle + TXV, Solenoid Valve, Mech Room T'stat-R-448A/R-449A)

PERFORMANCE DATA

Application Capacity: Air Defrost- 60 Hz

Please consult AWEF table on page 14 to confirm model meets DOE minimum AWEF

New Model	Legacy Model	R-404A/R-507A		R-448A/R-449A		Fan Data		
		Application Capacity ¹		Application Capacity ¹				
		10°F TD/25°F SST	6°C TD/4°C SST	10°F TD/25°F SST	6°C TD/4°C SST	No. of Fans	CFM	m ³ H
		BTUH	Watts	BTUH	Watts			
LEC0065*S7AMA	ACM052	5,200	1,524	6,400	1,875	1	610	1,036
LEC0095*S7AMA	ACM076 ACM090	7,000	2,051	9,100	2,666	2	1,220	2,073
LEC0130*S7AMA	ACM102	9,100	2,666	13,000	3,809	2	1,220	2,073
LEC0175*S7AMA	ACM108	10,800	3,164	17,350	5,084	3	1,830	3,109
LEC0200*S7AMA	ACM134	13,400	3,926	19,900	5,831	3	1,830	3,109
LEC0225*S7AMA	ACM156	15,600	4,571	22,300	6,534	3	1,830	3,109
LEC0250*S7AMA	ACM179	17,900	5,245	24,700	7,237	4	2,440	4,146
LEC0285*S7AMA	ACM208	20,800	6,094	28,300	8,292	4	2,440	4,146
LEC0360*S7AMA	ACM249	24,900	7,296	35,750	10,475	5	3,050	5,182

New Model	Legacy Model	R-407A/R-407F		R-407C		Fan Data		
		Application Capacity ¹		Application Capacity ¹				
		10°F TD/25°F SST	6°C TD/4°C SST	10°F TD/25°F SST	6°C TD/4°C SST	No. of Fans	CFM	m ³ H
		BTUH	Watts	BTUH	Watts			
LEC0065*S7AMA	ACM052	6,400	1,875	6,400	1,875	1	610	1,036
LEC0095*S7AMA	ACM076 ACM090	9,100	2,666	9,100	2,666	2	1,220	2,073
LEC0130*S7AMA	ACM102	13,000	3,809	13,000	3,809	2	1,220	2,073
LEC0175*S7AMA	ACM108	17,350	5,084	17,350	5,084	3	1,830	3,109
LEC0200*S7AMA	ACM134	19,900	5,831	19,900	5,831	3	1,830	3,109
LEC0225*S7AMA	ACM156	22,300	6,534	22,300	6,534	3	1,830	3,109
LEC0250*S7AMA	ACM179	24,700	7,237	24,700	7,237	4	2,440	4,146
LEC0285*S7AMA	ACM208	28,300	8,292	28,300	8,292	4	2,440	4,146
LEC0360*S7AMA	ACM249	35,750	10,475	35,750	10,475	5	3,050	5,182

Notes:
¹ = Capacities shown are Application Capacities reflecting nominal operation at 10°F TD. For models within the scope of the DOE AWEF (Annual Walk-in Energy Factor) standard, the Net Capacity is determined by the AHRI 1250 test method. DOE will publish this compliance data at www.regulations.doe.gov
 * = Electrical Code Designator (see Nomenclature details)
 Net Capacity is available upon request

SPECIFICATIONS

Air Defrost- 60 Hz

Please consult AWEF table on page 14 to confirm model meets DOE minimum AWEF

New Model	HP	2 Speed EC Motor							
		115/1/60				208-230/1/60			
		Amps	Watts	MCA	MOPD	Amps	Watts	MCA	MOPD
LEC0065*S7AMA	1/20	0.8	55	1.1	20	0.4	55	0.6	15
LEC0095*S7AMA	1/20	1.7	110	2.0	20	0.8	110	1.1	15
LEC0130*S7AMA	1/20	1.7	110	2.0	20	0.8	110	1.1	15
LEC0175*S7AMA	1/20	2.5	165	2.9	20	1.3	165	1.6	15
LEC0200*S7AMA	1/20	2.5	165	2.9	20	1.3	165	1.6	15
LEC0225*S7AMA	1/20	2.5	165	2.9	20	1.3	165	1.6	15
LEC0250*S7AMA	1/20	3.4	220	3.8	20	1.7	220	2.1	15
LEC0285*S7AMA	1/20	3.4	220	3.8	20	1.7	220	2.1	15
LEC0360*S7AMA	1/20	4.2	275	4.7	20	2.1	275	2.6	15

Notes:

* = Electrical Code Designator (see Nomenclature for details)

PERFORMANCE DATA

Application Capacity: Low Temperature Electric Defrost- 60 Hz

Please consult AWEF table on page 15 to confirm model meets DOE minimum AWEF

Please refer to Table 1: Capacity Correction Factors (page 4) if using Saturated Suction Temperatures different than listed in the information below

New Model	Legacy Model	R-404A/R-507A		R-448A/R-449A		Fan Data		
		Application Capacity ¹		Application Capacity ¹				
		10°F TD/-20°F SST	6°C TD/-29°C SST	10°F TD/-20°F SST	6°C TD/-29°C SST	No. of Fans	CFM	m ³ H
		BTUH	Watts	BTUH	Watts			
LEC0050BS6EMA	ECM040	4,000	1,172	5,500	1,612	1	610	1,036
LEC0075BS6EMA	ECM054 ECM065	6,500	1,905	8,700	2,549	2	1,220	2,073
LEC0120BS6EMA	ECM090	9,000	2,637	13,600	3,985	3	1,830	3,109
LEC0135BS6EMA	ECM130	13,000	3,809	15,700	4,600	3	1,830	3,109
LEC0180BS6EMA	ECM174	17,400	5,098	21,100	6,182	4	2,440	4,146

New Model	Legacy Model	R-407A/R-407F		R-407C		Fan Data		
		Application Capacity ¹		Application Capacity ¹				
		10°F TD/-20°F SST	6°C TD/-29°C SST	10°F TD/-20°F SST	6°C TD/-29°C SST	No. of Fans	CFM	m ³ H
		BTUH	Watts	BTUH	Watts			
LEC0050BS6EMA	ECM040	5,500	1,612	5,500	1,612	1	610	1,036
LEC0075BS6EMA	ECM054 ECM065	8,700	2,549	8,700	2,549	2	1,220	2,073
LEC0120BS6EMA	ECM090	13,600	3,985	13,600	3,985	3	1,830	3,109
LEC0135BS6EMA	ECM130	15,700	4,600	15,700	4,600	3	1,830	3,109
LEC0180BS6EMA	ECM174	21,100	6,182	21,100	6,182	4	2,440	4,146

Notes:
¹ = Capacities shown are Application Capacities reflecting nominal operation at 10°F TD. For models within the scope of the DOE AWEF (Annual Walk-in Energy Factor) standard, the Net Capacity is determined by the AHRI 1250 test method. DOE will publish this compliance data at www.regulations.doe.gov
 Net Capacity is available upon request

PERFORMANCE DATA

Application Capacity: Medium Temperature Electric Defrost- 60 Hz

Please consult AWEF table on page 15 to confirm model meets DOE minimum AWEF

Please refer to Table 1: Capacity Correction Factors (page 4) if using Saturated Suction Temperatures different than listed in the information below

New Model	Legacy Model	R-404A/R-507A		R-448A/R-449A		Fan Data		
		Application Capacity ¹		Application Capacity ¹				
		10°F TD/25°F SST	6°C TD/4°C SST	10°F TD/25°F SST	6°C TD/4°C SST	No. of Fans	CFM	m ³ H
		BTUH	Watts	BTUH	Watts			
LEC0050BS6EMA	ECM040	4,600	1,348	6,325	1,853	1	610	1,036
LEC0075BS6EMA	ECM054 ECM065	7,450	2,183	10,005	2,931	2	1,220	2,073
LEC0120BS6EMA	ECM090	10,350	3,033	15,640	4,583	3	1,830	3,109
LEC0135BS6EMA	ECM130	14,950	4,380	18,055	5,290	3	1,830	3,109
LEC0180BS6EMA	ECM174	20,000	5,860	24,265	7,110	4	2,440	4,146

New Model	Legacy Model	R-407A/R-407F		R-407C		Fan Data		
		Application Capacity ¹		Application Capacity ¹				
		10°F TD/25°F SST	6°C TD/4°C SST	10°F TD/25°F SST	6°C TD/4°C SST	No. of Fans	CFM	m ³ H
		BTUH	Watts	BTUH	Watts			
LEC0050BS6EMA	ECM040	6,325	1,853	6,325	1,853	1	610	1,036
LEC0075BS6EMA	ECM054 ECM065	10,005	2,931	10,005	2,931	2	1,220	2,073
LEC0120BS6EMA	ECM090	15,640	4,583	15,640	4,583	3	1,830	3,109
LEC0135BS6EMA	ECM130	18,055	5,290	18,055	5,290	3	1,830	3,109
LEC0180BS6EMA	ECM174	24,265	7,110	24,265	7,110	4	2,440	4,146

Notes:

¹ = Capacities shown are Application Capacities reflecting nominal operation at 10°F TD. For models within the scope of the DOE AWEF (Annual Walk-in Energy Factor) standard, the Net Capacity is determined by the AHRI 1250 test method. DOE will publish this compliance data at www.regulations.doe.gov
Net Capacity is available upon request

SPECIFICATIONS

Electric Defrost- 60 Hz

Please consult AWEF table on page 15 to confirm model meets DOE minimum AWEF

Please refer to Table 1: Capacity Correction Factors (page 4) if using Saturated Suction Temperatures different than listed in the information below

New Model	HP	2 Speed EC Motor (Totally Enclosed)				Defrost Heaters	
		208-230/1/60					
		Amps	Watts	MCA	MOPD	Watts	Total Amps
LEC0050BS6EMA	1/20	0.4	55	0.6	15	1,200	5.3
LEC0075BS6EMA	1/20	0.8	110	1.1	15	2,000	8.7
LEC0120BS6EMA	1/20	1.3	165	1.6	15	2,400	10.5
LEC0135BS6EMA	1/20	1.3	165	1.6	15	3,600	15.7
LEC0180BS6EMA	1/20	1.7	220	2.1	15	4,800	20.9

PHYSICAL DATA

Air Defrost

Model	No. of Fans	Coil Inlet OD	Suction OD	Equalizer OD	Drain MPT	Approx. Net Weight	
						Lbs.	Kg
LEC0065*S7AMA	1	3/8	1 - 1/8	1/4	3/4	50	23
LEC0095*S7AMA	2	3/8	1 - 1/8	1/4	3/4	100	45
LEC0130*S7AMA	2	3/8	1 - 1/8	1/4	3/4	100	45
LEC0175*S7AMA	3	3/8	1 - 1/8	1/4	3/4	126	57
LEC0200*S7AMA	3	3/8	1 - 1/8	1/4	3/4	141	64
LEC0225*S7AMA	3	3/8	1 - 1/8	1/4	3/4	148	67
LEC0250*S7AMA	4	3/8	1 - 1/8	1/4	3/4	179	81
LEC0285*S7AMA	4	3/8	1 - 1/8	1/4	3/4	197	89
LEC0360*S7AMA	5	3/8	1 - 1/8	1/4	3/4	248	112

Electric Defrost

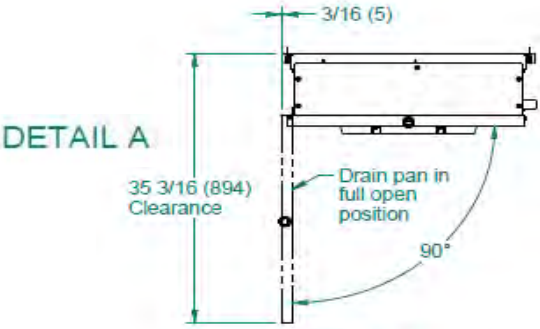
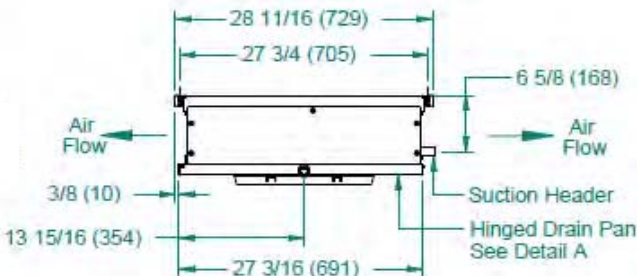
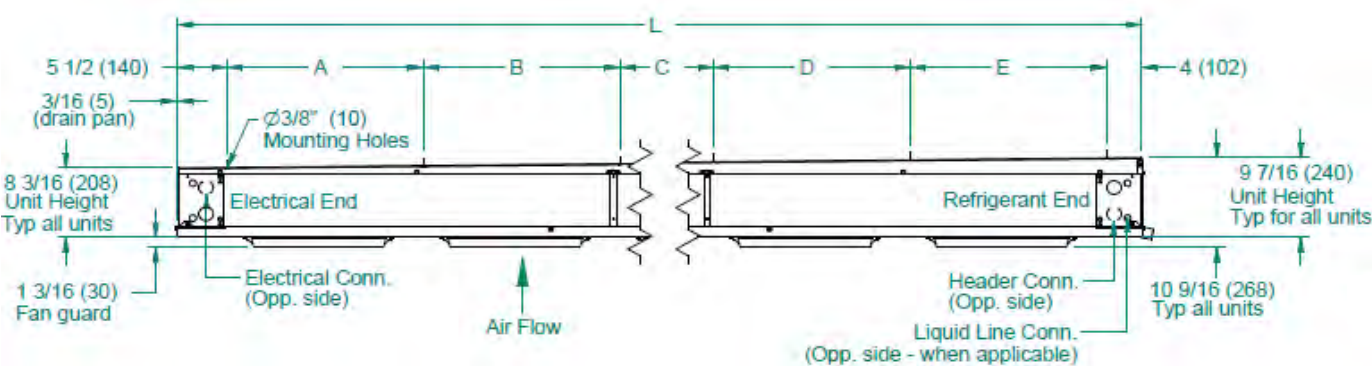
Model	No. of Fans	Coil Inlet OD	Suction OD	Equalizer OD	Drain MPT	Approx. Net Weight	
						Lbs.	Kg
LEC0050BS6EMA	1	3/8	1 - 1/8	1/4	3/4	108	49
LEC0075BS6EMA	2	3/8	1 - 1/8	1/4	3/4	144	65
LEC0120BS6EMA	3	3/8	1 - 1/8	1/4	3/4	192	87
LEC0135BS6EMA	3	3/8	1 - 1/8	1/4	3/4	209	95
LEC0180BS6EMA	4	3/8	1 - 1/8	1/4	3/4	262	119

Notes:

* = Electrical Code Designator (see Nomenclature details)

All connections are in “

DIMENSIONAL DRAWINGS



DIMENSIONAL DATA

Dimensional Data For Air Defrost

Model	No. of Fans	L	A	B	C	D	E
		Inches (mm)	Inches (mm)	Inches (mm)	Inches (mm)	Inches (mm)	Inches (mm)
LEC0065*S7AMA	1	31 1/2 (800)	22 (559)	-	-	-	-
LEC0095*S7AMA	2	53 1/2 (1359)	22 (559)	22 (559)	-	-	-
LEC0130*S7AMA	2	53 1/2 (1359)	22 (559)	22 (559)	-	-	-
LEC0175*S7AMA	3	75 1/2 (1918)	22 (559)	22 (559)	22 (559)	-	-
LEC0200*S7AMA	3	75 1/2 (1918)	22 (559)	22 (559)	22 (559)	-	-
LEC0225*S7AMA	3	75 1/2 (1918)	22 (559)	22 (559)	22 (559)	-	-
LEC0250*S7AMA	4	97 1/2 (2477)	22 (559)	22 (559)	22 (559)	22 (559)	-
LEC0285*S7AMA	4	97 1/2 (2477)	22 (559)	22 (559)	22 (559)	22 (559)	-
LEC0360*S7AMA	5	119 1/2 (3035)	22 (559)	22 (559)	22 (559)	22 (559)	22 (559)

Dimensional Data For Electric Defrost

Model	No. of Fans	L	A	B	C	D
		Inches (mm)	Inches (mm)	Inches (mm)	Inches (mm)	Inches (mm)
LEC0050BS6EMA	1	31 1/2 (800)	22 (559)	-	-	-
LEC0075BS6EMA	2	53 1/2 (1359)	22 (559)	22 (559)	-	-
LEC0120BS6EMA	3	75 1/2 (1918)	22 (559)	22 (559)	22 (559)	-
LEC0135BS6EMA	3	75 1/2 (1918)	22 (559)	22 (559)	22 (559)	-
LEC0180BS6EMA	4	97 1/2 (1918)	22 (559)	22 (559)	22 (559)	22 (559)

Notes:

* = Electrical Code Designator (see Nomenclature details)

DOE Rated AWEF

AWEF DATA

Air Defrost

FPI	Model	Cooler			
		R-404A/ R-507A	R-448A/ R-449A	R-407A/ R-407F	R-407C
		AWEF	AWEF	AWEF	AWEF
7	LEC0065*S7AMA	9.0	9.0	9.0	9.0
7	LEC0095*S7AMA	9.0	9.0	9.0	9.0
7	LEC0130*S7AMA	9.0	9.0	9.0	9.0
7	LEC0175*S7AMA	9.0	9.0	9.0	9.0
7	LEC0200*S7AMA	9.0	9.0	9.0	9.0
7	LEC0225*S7AMA	9.0	9.0	9.0	9.0
7	LEC0250*S7AMA	9.0	9.0	9.0	9.0
7	LEC0285*S7AMA	9.0	9.0	9.0	9.0
7	LEC0360*S7AMA	9.0	9.0	9.0	9.0

Notes:
 * = Electrical Code Designator (see Nomenclature details)

DOE Rated AWEF

AWEF DATA

Electric Defrost

FPI	Model	Freezer			
		R-404A/ R-507A	R-448A/ R-449A	R-407A/ R-407F	R-407C
		AWEF	AWEF	AWEF	AWEF
6	LEC0050BS6EMA	3.96	3.99	3.99	3.98
6	LEC0075BS6EMA	4.00	4.04	4.04	4.02
6	LEC0120BS6EMA	4.05	4.12	4.11	4.09
6	LEC0135BS6EMA	4.07	4.15	4.14	4.12
6	LEC0180BS6EMA	4.12	4.15	4.15	4.15

FPI	Model	Cooler			
		R-404A/ R-507A	R-448A/ R-449A	R-407A/ R-407F	R-407C
		AWEF	AWEF	AWEF	AWEF
6	LEC0050BS6EMA	-	9.0	9.0	9.0
6	LEC0075BS6EMA	-	9.0	9.0	9.0
6	LEC0120BS6EMA	9.0	9.0	9.0	9.0
6	LEC0135BS6EMA	9.0	9.0	9.0	9.0
6	LEC0180BS6EMA	9.0	9.0	9.0	9.0

REPLACEMENT PARTS

Cabinet Components

Part #	Description	No. of Fans
40420101	Drain Pan - Stucco	1
40420201	Drain Pan - Stucco	2
40420301	Drain Pan - Stucco	3
40420401	Drain Pan - Stucco	4
40420501	Drain Pan - Stucco	5

Electrical Components

Part #	Description
22597101	Terminal Board - Air Defrost
22597701	Terminal Board - Electric Defrost
22598201	2SP RELAY 24V
22598202	2SP RELAY 120V
22598203	2SP RELAY 240V
4267W	Defrost Termination / Fan Delay Thermostat

Motor/Fan Blade/Fan Guards

Part #	Description
25329001	Motor 115/1/60 - 2 Speed EC
25329101	Motor 208-230/1/60 - 2 Speed EC
5110E	Fan Blade
23106201	Fan Guard - Plastic
41417501	Motor Mount Plate

Electric Components

Part #	Description	No. of Fans
4400S	Coil Heater	1
4401S	Coil Heater	2
4402S	Coil Heater - 4 Row Coil	3
4403S	Coil Heater - 5 Row Coil	3
4404S	Coil Heater	4

STANDARD NOZZLE SELECTION

Air Defrost

Medium Temperature (25°F SST)								
Model	No. of Fans	Distributor Tube (in.)		No. of Circuits	Nozzle Selections			
		OD	Length		R-404A/R-507A	R-448A/R-449A	R-407A/R-407F	R-407C
LEC0065*S7AMA	1	3/16	18	4	L - 1/3	L - 1/2	L - 1/3	L - 1/3
LEC0095*S7AMA	2	3/16	18	4	L - 1/2	L - 3/4	L - 1/2	L - 1/2
LEC0130*S7AMA	2	3/16	18	4	L - 3/4	L - 1	L - 3/4	L - 3/4
LEC0175*S7AMA	3	3/16	18	4	L - 3/4	L - 1 1/2	L - 1	L - 1
LEC0200*S7AMA	3	3/16	18	6	L - 1	L - 1 1/2	L - 1	L - 1
LEC0225*S7AMA	3	3/16	24	8	L - 1	L - 2	L - 1 1/2	L - 1 1/2
LEC0250*S7AMA	4	3/16	18	6	L - 1 1/2	L - 2	L - 1 1/2	L - 1 1/2
LEC0285*S7AMA	4	3/16	24	8	L - 1 1/2	L - 2 1/2	L - 1 1/2	L - 1 1/2
LEC0360*S7AMA	5	3/16	18	10	L - 2	L - 3	L - 2	L - 2

Electric Defrost

Low Temperature (-20°F SST)								
Model	No. of Fans	Distributor Tube (in.)		No. of Circuits	Nozzle Selections			
		OD	Length		R-404A/R-507A	R-448A/R-449A	R-407A/R-407F	R-407C
LEC0050BS6EMA	1	3/16	18	4	L - 1/2	L - 1	L - 3/4	L - 1/2
LEC0075BS6EMA	2	3/16	18	4	L - 3/4	L - 1 1/2	L - 1	L - 1
LEC0120BS6EMA	3	3/16	18	6	L - 1 1/2	L - 2	L - 1 1/2	L - 1 1/2
LEC0135BS6EMA	3	3/16	24	8	L - 2	L - 2 1/2	L - 1 1/2	L - 1 1/2
LEC0180BS6EMA	4	3/16	18	10	L - 2	L - 4	L - 2 1/2	L - 2

Notes:

* = Electrical Code Designator (see Nomenclature details)



2175 West Park Place Blvd.

Stone Mountain, GA 30087

Phone: 800.537.7775 · Fax: 770.465.5900

heatcraftprd.com

Since product improvement is a continuing effort, we reserve the right to make changes in specifications without notice.

LK-CM-0920 | Version 001

©2020 Heatcraft Refrigeration Products LLC