



BASO Gas Products LLC

## H91-Rev B Series BASOTROL® Automatic Gas Valve

### Description

H91-Rev B Series automatic gas valves are electrically operated shut-off valves that automatically open and close on an electrical demand signal from a thermostat or other controlling device. Typical applications include heaters, wall furnaces, commercial cooking equipment, water heaters, boilers, generators, commercial dryers and similar applications. The H91 can be used with natural gas or LP at pressures up to 0.5 psi. Several cover options are available.

### Specifications

- Rated inlet pressure: 0.5 psi
- Permissible ambient (surface) temperature: -20° to 175°F (-40° to 79°C)

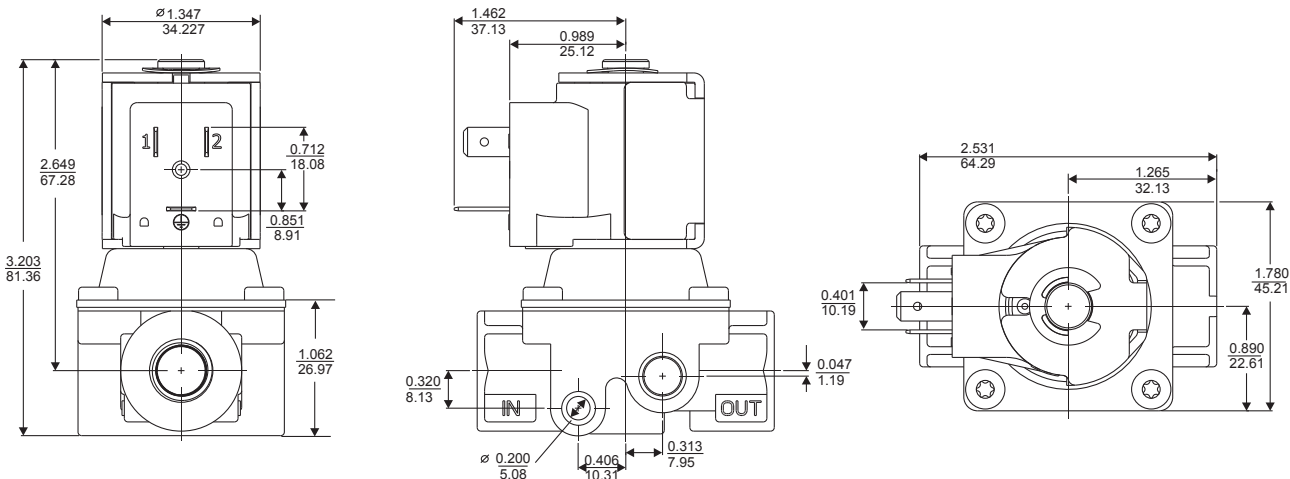
### Agency Listing

- CSA (AGA/CGA) Certificate number 229521-1656058
- Australian Gas Association Certificate number 4235 (H91A\_, B\_, C\_, D\_, E\_, L\_ and M\_ models only [excludes models H91\_V])
- UL Recognized File number MH5939

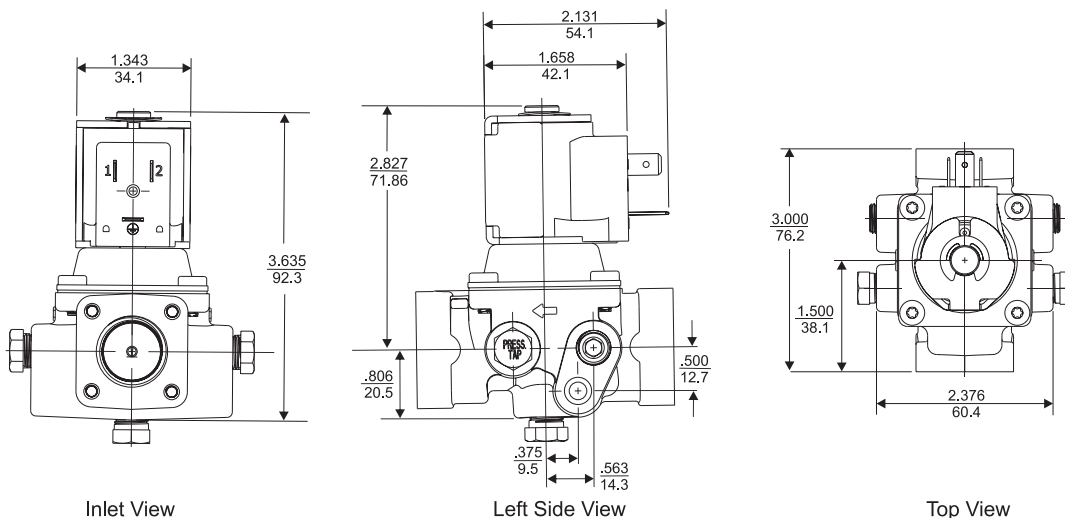
Note: DIN connectors are available; see Accessory section page 87.



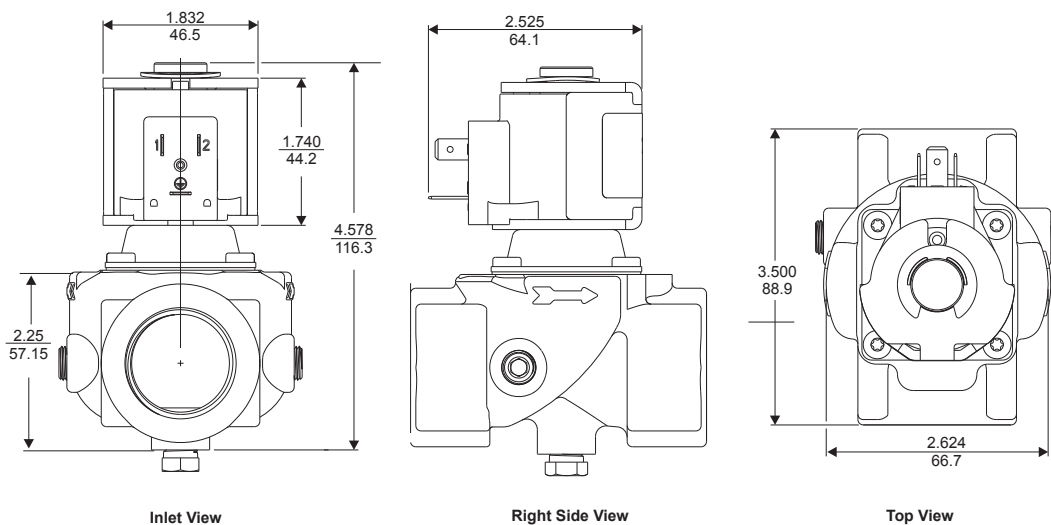
**WARNING:** This product can expose you to chemicals including Carbon Black, which is known to the State of California to cause Cancer. For more information, go to [www.P65warnings.ca.gov](http://www.P65warnings.ca.gov)



**H91AA, AG, BA, CA, CG, CS, SA, SG, VA, WA, WG, WS, AAA, AAG, ABA, ABG, ACA, ACG Dimensions (in./mm)**



**H91DA, DB, DG, DS, EA, EG, ES, EV, JV, RS, RV, ADA, ADG, ARA, ARG Dimensions (in./mm)**



**H91LA, LG, MA, MG, AMA, AMG Dimensions (in./mm)**

## Selection Chart

Part Number	Inlet/Outlet NPT	Natural Gas Capacity Btu/hr at 1 in. Pressure Drop	Voltage (AC unless noted)	Pilot Tap NPT	Pressure Tap NPT	Leads/Tabs (when looking at the inlet)
H91AA-4C Rev B	1/8 in. x 1/8 in.	70,000	120V	None	None	30"/Conduit DIN
H91AA-5C Rev B	1/8 in. x 1/8 in.	70,000	120V	None	None	30"/Conduit DIN
H91AA-6C Rev B	1/8 in. x 1/8 in.	70,000	120V	None	1/8-27 L	30"/Conduit DIN
H91AA-7C Rev B	1/8 in. x 1/8 in.	70,000	120V	None	None	60"/Conduit DIN
H91AG-2C Rev B	1/8 in. x 1/8 in.	70,000	25V	None	None	1/4 Tab
H91BA-11C Rev B	1/4 in. x 1/4 in.	100,000	120V	None	None	90"/Conduit DIN
H91BA-3C Rev B	1/4 in. x 1/4 in.	100,000	120V	None	None	30"/Conduit DIN
H91BA-7C Rev B	1/4 in. x 1/4 in.	100,000	120V	None	None	40"/Conduit DIN
H91BG-2C Rev B	1/4 in. x 1/4 in.	100,000	25V	None	1/8-27 R	20"/Conduit DIN
H91BG-6C Rev B	1/4 in. x 1/4 in.	100,000	25V	None	1/8-27 R	1/4 Tab
H91BG-7C Rev B	1/4 in. x 1/4 in.	100,000	25V	None	1/8-27 R	1/4 Tab
H91CA-12C Rev B	3/8 in. x 3/8 in.	115,000	120V	None	None	50"/Conduit DIN
H91CA-15C Rev B	3/8 in. x 3/8 in.	115,000	120V	1/8-27 L&R	1/8-27 Bottom	30"/Conduit DIN
H91CA-16C Rev B	3/8 in. x 3/8 in.	115,000	120V	None	None	30"/Straight DIN
H91CA-18C Rev B	3/8 in. x 3/8 in.	115,000	120V	None	1/8-27 R	30"/Conduit DIN
H91CA-21C Rev B	3/8 in. x 3/8 in.	115,000	120V	None	None	1/4 Tab
H91CA-23C Rev B	3/8 in. x 3/8 in.	115,000	120V	None	1/8-27 L&R	1/4 Tab
H91CA-24C Rev B	3/8 in. x 3/8 in.	115,000	120V	None	1/8-27 L	10"/Conduit DIN
H91CA-27C Rev B	3/8 in. x 3/8 in.	115,000	120V	None	1/8-27 L&R	1/4 Tab
H91CA-28C Rev B	3/8 in. x 3/8 in.	115,000	120V	None	None	50"/Conduit DIN
H91CA-32C Rev B	3/8 in. x 3/8 in.	115,000	120V	None	1/8-27 L	1/4 Tab
H91CA-33C Rev B	3/8 in. x 3/8 in.	115,000	120V	None	1/8-27 L	1/4 Tab
H91CA-34C Rev B	3/8 in. x 3/8 in.	115,000	120V	None	1/8-27 L	10"/Conduit DIN
H91CA-35C Rev B	3/8 in. x 3/8 in.	115,000	120V	None	1/8-27 L	10"/Conduit DIN
H91CA-36C Rev B	3/8 in. x 3/8 in.	115,000	120V	None	None	10"/Conduit DIN
H91CA-37C Rev B	3/8 in. x 3/8 in.	115,000	120V	None	None	10"/Conduit DIN
H91CA-38C Rev B	3/8 in. x 3/8 in.	115,000	120V	None	1/8-27 L	10"/Conduit DIN
H91CA-39C Rev B	3/8 in. x 3/8 in.	115,000	120V	None	1/8-27 L	10"/Conduit DIN
H91CA-40C Rev B	3/8 in. x 3/8 in.	115,000	120V	None	None	10"/Conduit DIN
H91CG-12C Rev B	3/8 in. x 3/8 in.	115,000	25V	1/8-27 L&R	1/8-27 Bottom	30"/Conduit DIN
H91CG-15C Rev B	3/8 in. x 3/8 in.	115,000	25V	None	1/8-27 Bottom	1/4 Tab
H91CG-17C Rev B	3/8 in. x 3/8 in.	115,000	25V	None	None	50"/Conduit DIN
H91CG-8C Rev B	3/8 in. x 3/8 in.	115,000	25V	None	None	1/4 Tab
H91CS-10C Rev B	3/8 in. x 3/8 in.	115,000	240V	1/8-27 L&R	None	10"/Conduit DIN
H91CS-9C Rev B	3/8 in. x 3/8 in.	115,000	240V	None	None	30"/Conduit DIN
H91DA-11C Rev B	1/2 in. x 1/2 in.	240,000	120V	None	None	30"/Conduit DIN
H91DA-12C Rev B	1/2 in. x 1/2 in.	240,000	120V	None	None	1/4 Tab
H91DA-13C Rev B	1/2 in. x 1/2 in.	240,000	120V	None	None	1/4 Tab
H91DA-1C Rev B	1/2 in. x 1/2 in.	240,000	120V	None	None	30"/Conduit DIN
H91DA-6C Rev B	1/2 in. x 1/2 in.	240,000	120V	None	1/8-27 L	10"/Conduit DIN
H91DA-7C Rev B	1/2 in. x 1/2 in.	240,000	120V	None	1/8-27 Bottom	1/4 Tab
H91DA-8C Rev B	1/2 in. x 1/2 in.	240,000	120V	1/8-27 R	1/8-27 L	50"/Conduit DIN
H91DB-2C Rev B	1/2 in. x 1/2 in.	240,000	240V	None	None	1/4 Tab
H91DG-11C Rev B	1/2 in. x 1/2 in.	240,000	25V	1/8-27 R	None	1/4 Tab

Part Number	Inlet/Outlet NPT	Natural Gas Capacity Btu/hr at 1 in. Pressure Drop	Voltage (AC unless noted)	Pilot Tap NPT	Pressure Tap NPT	Leads/Tabs (when looking at the inlet)
H91DG-12C Rev B	1/2 in. x 1/2 in.	240,000	25V	None	None	30"/Conduit DIN
H91DG-13C Rev B	1/2 in. x 1/2 in.	240,000	25V	None	None	30"/Conduit DIN
H91DG-2C Rev B	1/2 in. x 1/2 in.	240,000	25V	None	None	1/4 Tab
H91DG-4C Rev B	1/2 in. x 1/2 in.	240,000	25V	None	None	30"/Conduit DIN
H91DS-1C Rev B	1/2 in. x 1/2 in.	240,000	208/240V	None	None	30"/Conduit DIN
H91DS-3C Rev B	1/2 in. x 1/2 in.	240,000	208/240V	1/8-27 R	1/8-27 L	50"/Conduit DIN
H91EA-1C Rev B	1/2 in. x 1/2 in.	311,000	120V	None	None	30"/Conduit DIN
H91EA-3C Rev B	1/2 in. x 1/2 in.	311,000	120V	None	None	30"/Straight DIN
H91EA-5C Rev B	1/2 in. x 1/2 in.	311,000	120V	1/8-27 L&R	1/8-27 L&R	30"/Conduit DIN
H91EA-6C Rev B	1/2 in. x 1/2 in.	311,000	120V	None	None	30"/Conduit DIN
H91EA-8C Rev B	1/2 in. x 1/2 in.	311,000	120V	1/8-27 L&R	1/8-27 L&R	40"/Conduit DIN
H91EG-7C Rev B	1/2 in. x 1/2 in.	311,000	25V	1/8-27 L&R	1/8-27 L&R	1/4 Tab
H91ES-1C Rev B	1/2 in. x 1/2 in.	311,000	208/240V	1/8-27 L&R	1/8-27 L&R	30"/Conduit DIN
H91ES-3C Rev B	1/2 in. x 1/2 in.	311,000	208/240V	1/8-27 L&R	1/8-27 L&R	40"/Conduit DIN
H91EV-1C Rev B	1/2 in. x 1/2 in.	311,000	12VDC	None	None	1/4 Tab
H91EV-3C Rev B	1/2 in. x 1/2 in.	311,000	12VDC	None	1/8-27 L	1/4 Tab
H91JV-1C Rev B	1/2 in. x 1/2 in.	240,000	12VDC	None	None	1/4 Tab
H91JV-2C Rev B	1/2 in. x 1/2 in.	240,000	12VDC	None	None	1/4 Tab
H91LA-13C Rev B	3/4 in. x 3/4 in.	430,000	120V	None	None	30"/Conduit DIN 4 pin term
H91LA-1C Rev B	3/4 in. x 3/4 in.	430,000	120V	None	None	30"/Conduit DIN
H91LA-2C Rev B	3/4 in. x 3/4 in.	430,000	120V	None	None	30"/Conduit DIN
H91LA-6C Rev B	3/4 in. x 3/4 in.	430,000	120V	None	1/8-27 L	10"/Conduit DIN
H91LA-8C Rev B	3/4 in. x 3/4 in.	430,000	120V	None	None	50"/Conduit DIN
H91LG-12C Rev B	3/4 in. x 3/4 in.	430,000	25V	1/8-27 R	1/8-27 Bottom	30"/Conduit DIN
H91LG-14C Rev B	3/4 in. x 3/4 in.	430,000	25V	1/8-27 R	1/8-27 Bottom	1/4 Tab
H91LG-15C Rev B	3/4 in. x 3/4 in.	430,000	25V	None	None	30"/Conduit DIN
H91LG-7C Rev B	3/4 in. x 3/4 in.	430,000	25V	None	1/8-27 Bottom	30"/Straight DIN
H91LG-8C Rev B	3/4 in. x 3/4 in.	430,000	25V	None	1/8-27 L	1/4 Tab
H91LG-9C Rev B	3/4 in. x 3/4 in.	430,000	25V	None	1/8-27 R	1/4 Tab
H91MA-2C Rev B	1 in. x 1 in.	505,000	120V	None	None	40"/Conduit DIN
H91MA-4C Rev B	1 in. x 1 in.	505,000	120V	1/8-27 L&R	1/8-27 Bottom	30"/Conduit DIN
H91MA-5C Rev B	1 in. x 1 in.	505,000	120V	None	None	30"/Conduit DIN
H91MB-1C Rev B	1 in. x 1 in.	505,000	240V	1/8-27 L&R	1/8-27 Bottom	30"/Conduit DIN
H91MG-1C Rev B	1 in. x 1 in.	505,000	25V	None	None	1/4 Tab
H91MG-3C Rev B	1 in. x 1 in.	505,000	25V	None	1/8-27 Bottom	30"/Straight DIN
H91MG-6C Rev B	1 in. x 1 in.	505,000	25V	None	1/8-27 Bottom	30"/Conduit DIN
H91MG-8C Rev B	1 in. x 1 in.	505,000	25V	1/8-27 L&R	1/8-27 Bottom	1/4 Tab
H91MG-9C Rev B	1 in. x 1 in.	505,000	25V	None	None	30"/Conduit DIN
H91RA-1C Rev B	3/4 in. x 3/4 in.	325,000	120V	1/8-27 R	1/8-27 L	50"/Conduit DIN
H91RA-2C Rev B	3/4 in. x 3/4 in.	325,000	120V	1/8-27 L&R	None	30"/Conduit DIN
H91RA-4C Rev B	3/4 in. x 3/4 in.	325,000	120V	1/8-27 L&R	None	30"/Conduit DIN
H91RA-5C Rev B	3/4 in. x 3/4 in.	325,000	120V	1/8-27 L&R	1/8-27 L&R	30"/Conduit DIN
H91RA-6C Rev B	3/4 in. x 3/4 in.	325,000	120V	None	None	1/4 Tab
H91RB-1C Rev B	3/4 in. x 3/4 in.	325,000	240	None	None	30"/Conduit DIN
H91RG-1C Rev B	3/4 in. x 3/4 in.	325,000	25V	1/8-27 L&R	1/8-27 Bottom	1/4 Tab

Part Number	Inlet/Outlet NPT	Natural Gas Capacity Btu/hr at 1 in. Pressure Drop	Voltage (AC unless noted)	Pilot Tap NPT	Pressure Tap NPT	Leads/Tabs (when looking at the inlet)
H91RG-2C Rev B	3/4 in. x 3/4 in.	325,000	25V	None	1/8-27 L&R	1/4 Tab
H91RG-3C Rev B	3/4 in. x 3/4 in.	325,000	25V	None	None	30"/Conduit DIN
H91RS-1C Rev B	3/4 in. x 3/4 in.	325,000	208/240V	1/8-27 L&R	None	30"/Conduit DIN
H91RS-2C Rev B	3/4 in. x 3/4 in.	325,000	208/240V	1/8-27 L&R	None	30"/Conduit DIN
H91RS-3C Rev B	3/4 in. x 3/4 in.	325,000	208/240V	1/8-27 L&R	1/8-27 L&R	30"/Conduit DIN
H91RS-4C Rev B	3/4 in. x 3/4 in.	325,000	208/240V	1/8-27 L&R	None	30"/Conduit DIN
H91RV-1C Rev B	3/4 in. x 3/4 in.	325,000	12VDC	1/8-27 L&R	1/8-27 Bottom	1/4 Tab
H91RV-2C Rev B	3/4 in. x 3/4 in.	325,000	12VDC	1/8-27 L&R	1/8-27 Bottom	1/4 Tab
H91VA-1C Rev B	3/8 in. cc x 3/8 in. cc	55,000	120V	None	None	1/4 Tab
H91WA-4C Rev B	1/4 in. cc x 1/4 in. cc	42,000	120V	None	1/8-27 L	30"/Conduit DIN
H91WG-1C Rev B	1/4 in. cc x 1/4 in. cc	42,000	25V	None	None	1/4 Tab
H91WG-6C Rev B	1/4 in. cc x 1/4 in. cc	42,000	25V	None	None	30"/Conduit DIN
H91WG-7C Rev B	1/4 in. cc x 1/4 in. cc	42,000	25V	None	None	20"/Straight DIN
H91WS-2C Rev B	1/4 in. cc x 1/4 in. cc	42,000	208/240V	None	None	20"/Straight DIN