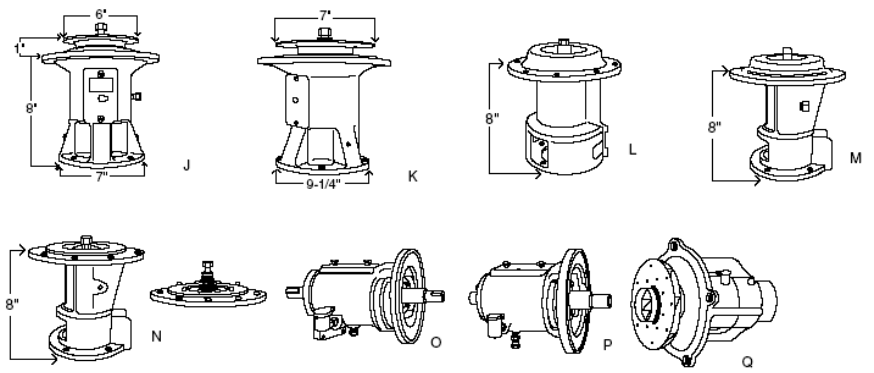


# CIRCULATOR BEARING ASSEMBLIES

**Bell & Gossett**

**Circulator Bearing Assemblies (CONTINUED)**



**FEATURES:**

- Remanufactured models protected by 2 year warranty.

Size/Description	Mfr#	Reman#
J ---	185232	B76-5R
K ---	PD25Z-12351	B76-10R
K ---	PD27Z-12351 bronze	B76-11R
L ---	185260	B76-20R
M ---	185232	B76-24R
N ---	185260	B76-25R
1" thru 3" LD high-temp seal for B70R	189100	B70-3R
2-1/2", 3" LD, 3" HD high-temp seal for B73R	189105	B73-2R
2-1/2", 3" LD, 3" HD high-temp seal for B74-1R	118447	B73-3R
3/4" thru 1-1/2" high-temp seal for B75-R	189034	B75-1R
Bronze B75-3R with plastic impeller seal	189122	B75-5R
---	186863	B76-2R
---	185232	B76-4R
O High-temp seal	185260	B76-26R
O With support bracket, grease cap lube	---	B76-30R
P Without support bracket, grease cap lube	---	B76-31R
With support bracket, oil cap lube	---	B76-32R
Without support bracket, oil cap lube	---	B76-33R
Q 1" to 2", Impeller A -3/8", Impeller B - 4"	240 (7/16" shaft)	B79-13R
Q 3" , Impeller A -5/8", Impeller B - 4"	340 (7/16" shaft)	B79-14R
Short, overall length w/out impeller 13-1/2",	---	B79-20R
Medium, overall length w/out impeller 16-1/2",	---	B79-21R
Long, overall length w/out impeller 18-1/4",	---	B79-22R

**NOTE:** Remanufactured products available only on exchange for similar defective units.